

# 7-081 Quarter-Turn with Insert SW13 Pr20.1 L18

Tool operable, IP67, Stainless Steel, Optional pre-assembly

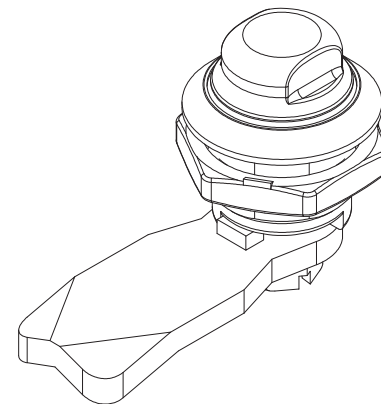
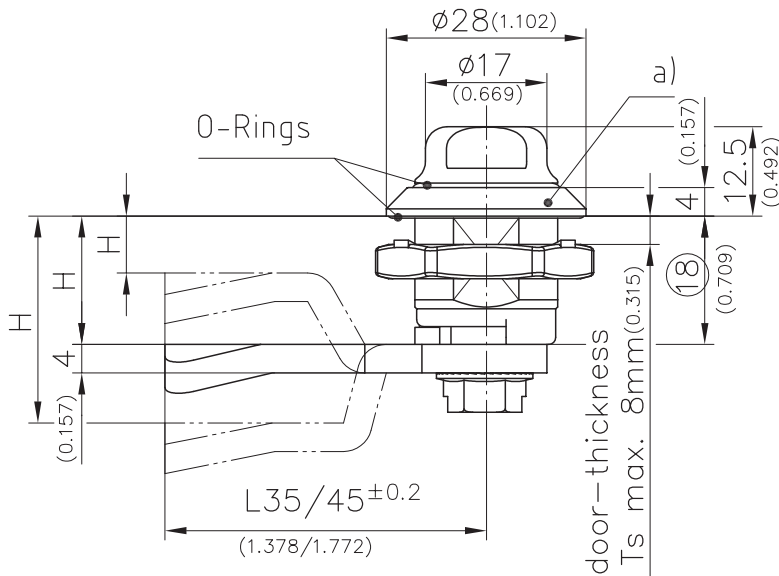


## Product Notes:

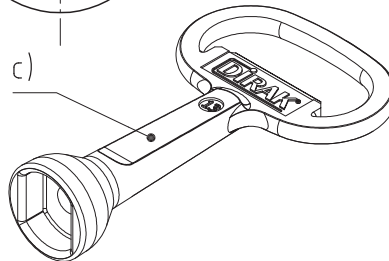
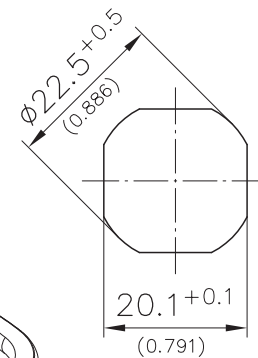
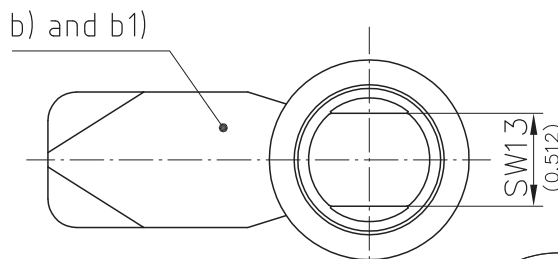
- Food sector and clean room areas are some of the applications
- Polished surface and transition radii result in resistance to dirt and easy to clean
- RH and LH application
- Water and dust tight according to IP67, DIN EN 60529 with two O-Rings
- Components can be pre-assembled by DIRAK upon request
- SW13 insert
- Pre-assembled Quarter-Turn can be installed in cutout
- Grounding by single sided grounding nut

## Material:

- **Housing, grounding nut and insert:** Stainless Steel AISI 316L
- **Cams and serrated screws:** Stainless Steel AISI 304
- **O-Rings:** Silicon, red, FDA conform



Cutout  
incl. paint



	Part No.	See Page
a) Quarter-Turn (insert, grounding nut, O-rings, serrated screw)	100-9501	
b) Cams L45mm / 1.772		01.24
b1) Cams L35mm / 1.378		01.24
c) Female key, hollow SW13 (Material: zinc die, untreated)	204-0140	
d) Assembling of cam, with O-ring	200-0002	